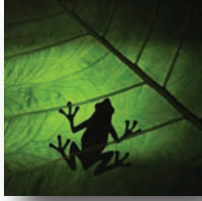


Senergy Sensors & Controls



Product Data

SAP-10K2 Series
SAP-10K3 Series
SAP-10K3-11K
SAP-3K Series
SAP-1.8K Series
SAP-20K Series

Superior Accuracy & Performance (SAP®)

Senergy manufactures SAP sensors for superior accuracy and performance. A 3mW heat dissipation constant thermistor with a +/-0.13 specified stability (drift) is at the heart of every Senergy Sensor. With most of the industry using a 2.7mW constant, Senergy is clearly shattering the industry standard for accuracy. With rising energy costs, industry standards are no longer acceptable. Senergy Sensors and Controls is setting new performance standards for HVAC thermistors. Higher heat dissipation constants and better stability translates to more accurate temperature sensing. This exceptional accuracy combined with finely tuned PID loops means less over and under shooting and ultimately translates into substantial energy savings. NIST Traceable Certification is available as an option for projects that require supporting documentation. Senergy Sensors are only available through premier System Integrators and Control Contractors.

Senergy Sensors and Controls is concerned with saving energy in your facility, as well as preserving our planet. Senergy has "stepped up" and outside the box in manufacturing in an effort to reduce the carbon footprint each and every sensor leaves on the planet. The true cost of a sensor must include; initial acquisition cost, long term energy waste due to sensor inaccuracies, as well as the fuel & emissions from packaging & transportation getting the sensors from production to their final destination. Senergy is setting new standards in accuracy and utilizing new, lighter weight materials in the production of its sensors in an effort to minimize fuel and emissions from transportation to the installation site. Senergy's packaging is sensitive to the environment including recycled boxes and biodegradeable packing material.

Product Specifications

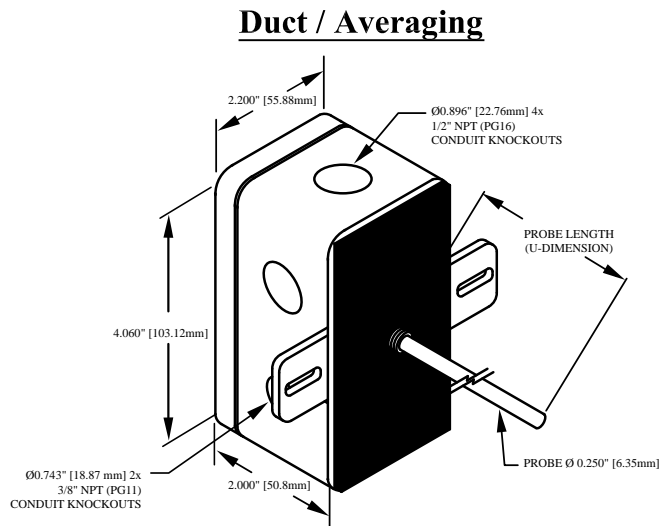
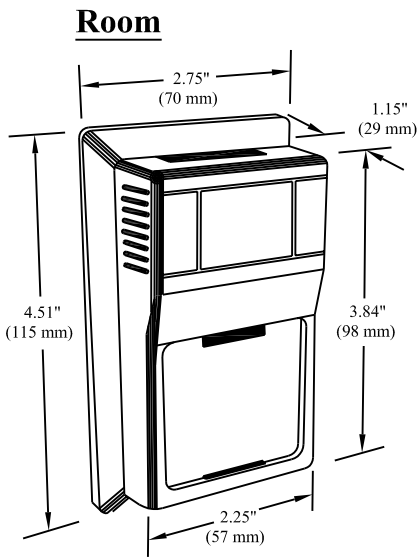
Output	10K3 Ohms @ 77°F (25°C) 10K2 Ohms @ 77°F (25°C) 3K Ohms @ 77°F (25°C) 1.8K Ohms @ 77°F (25°C) 20K Ohms @ 77°F (25°C)
Accuracy (0 to 70°C)	+/-0.2°C (+/-0.36°F)
Stability	+/- 0.13°C (0.23°F)
Operating Temperature Range	-40 to 302°F (-40 to 150°C)
Operating Humidity	0 to 90% RH non-condensing
Interchangeability	+/- 0.2°C (+/-0.36°F)
Heat Dissipation Constant	3 mW / °C
For sensors with Display option see -LCD Temp display cut sheet	

Thermistors

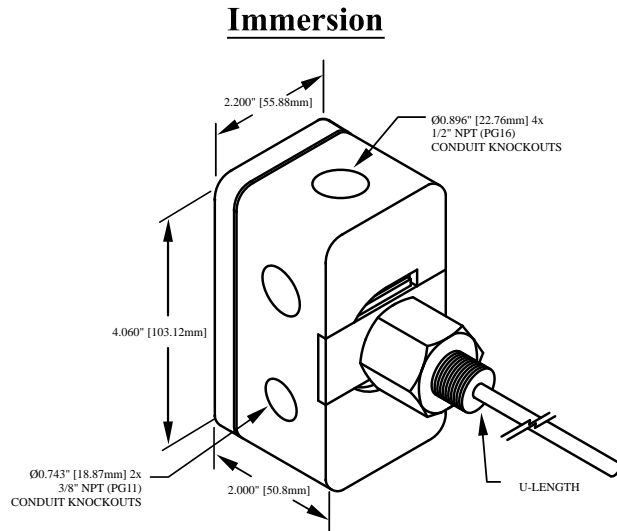
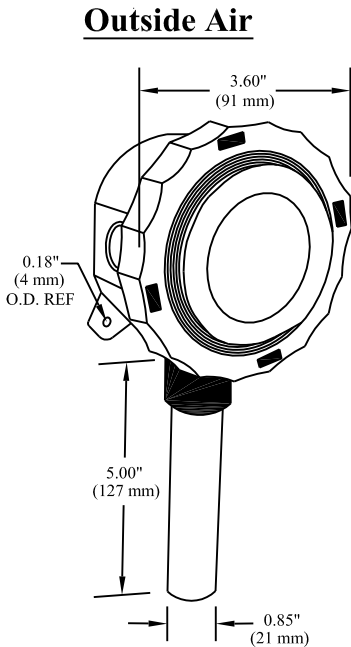


Made in the USA

Senergy Sensors & Controls
800-893-4846 (Phone)
800-797-0806 (Fax)
www.senergycontrols.com



- Duct Insertion (U-Dimension)**
 3.5" (89 mm)
 7.5" (191 mm)
 11.5" (292 mm)
 17.5" (445 mm)
- Averaging**
 8' (2.4 m)
 12' (3.7 m)
 24' (7.3 m)



- Well Insertion (U-Length)**
 2.50" (64 mm)
 4.00" (102 mm)
 6.25" (158.75 mm)

Ordering Information

SAP- []	Sensor	Configuration	Communication Jack ¹	Pot Value ¹	Setpoint Indicator ¹	Pot Action ¹	Display ¹	Housing Type ²
↑	↑	↑	↑	↑	↑	↑	↑	↑
10K2	R	Room	RJ11 (4 Pin)	400	Cool Warm	DA (Direct)	() No Display	(ABS) Plastic Housing
10K3	RS	Room w/ Setpoint	RJ12 (6 Pin)	1K	55 to 85	RA (Reverse)	(Standard)	(MB) Metal Box
10K3-11K (Includes 11K Shunt)	RO	Room w/ Override	3.5mm (Stereo Jack)	2K	10 to 30° C		(D) LCD Display	(WP) NEMA3R Bell Box
3K	RSO	Room w/ Setpoint & Override		3K			Specify Degrees Celsius if required.	(RD) Weatherproof Round ABS
1.8K	D	Duct 4", 8", 12", 18"		5K				(RDO) Weatherproof Round UV resistant
20K	DNB	Duct no box 4", 8" with		8.5K				
	I	Immersion 2.5", 4", 8"		10K				
	A	Bendable Copper Averaging 12', 24'		20K				
	RA	Rigid Averaging 18", 24", 36"		100K				
	FA	Flexible Averaging (Cable) 18", 24", 36"						
	S	Strap On						
	O	Outdoor Air						
	RP	1 1/4" SS Probe specify lead length						
	SP	Stainless Plate						
	PP	Prepot						
	BBS	Brass Button Sensor						
	SBS	Stainless Button Sensor						

¹These Options are only available on Room Configurations.

²Duct, Immersion, Bendable Copper and Rigid Averaging available with optional NEMA3R (WP), Weatherproof Round (RD) or Weatherproof Round (RDO).

Strap-On Sensors are available with an optional Weatherproof (RDO) enclosure