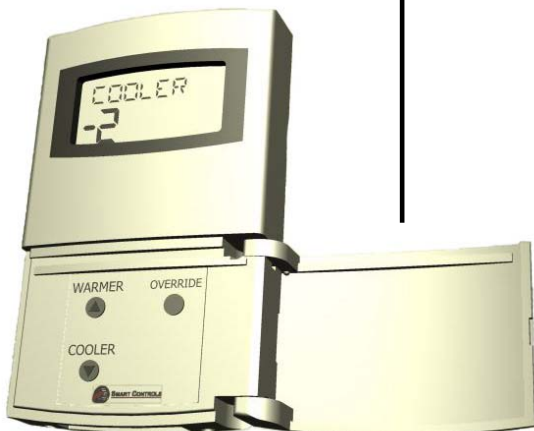


SI-10

FEATURE SUMMARY

- **Simple Elegance™ architectural styling**
- **User Interface:**
LCD Display
Top Line: 8 Character Alphanumeric
Bottom Line: 4-digit Discreetly Concealed 3-push-buttons for Set point Offset and Override
- **Precision SAP™ Temperature Sensor**
- **Field Configurable Programmable Comfort Adjustment Range and Temperature Display Offset.**
- **24 Vac/24 Vdc power input**
- **Engineered for Superior Accuracy & Performance SAP™**
- **2 Year Limited Warranty**



TEMPERATURE SENSOR INTERFACE



The SI-10 sets a new standard in aesthetics and functionality. The architectural design of the SI-10 was achieved through the input of industry professionals, as well as a multitude of end users. It's copyrighted design has been described as "Simple Elegance". The SI-10 quietly blends in to its surroundings and is as comfortable on the boardroom wall as it is in a classroom. Rave reviews have also been received by custom homeowners and designers. Architects and designers can now work in harmony with engineers and contractors. The aesthetic integrity of a building no longer has to be compromised to deliver optimum comfort and performance.

The simply elegant design of the SI-10 is only enhanced by its Superior Accuracy and Performance (SAP™). Optimum user functionality has been built in to every SI-10. The intuitive temperature sensor interface utilizes discreetly concealed adjustment buttons. The ease of use is unprecedented. When an adjustment is made through the SI-10, visual feedback is provided through the integral LCD display. The custom designed display incorporates 4 digits as well as 8 alphanumeric characters to aid in the simplicity of use and design.

Programmable Comfort Adjustment

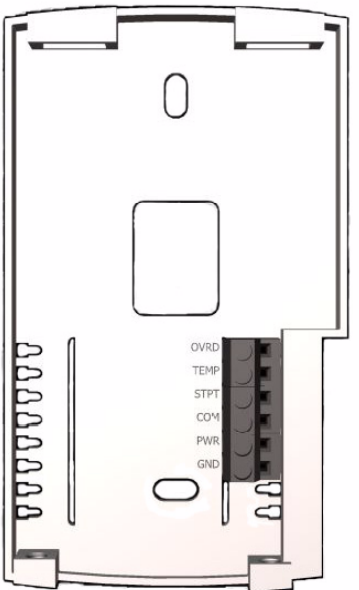
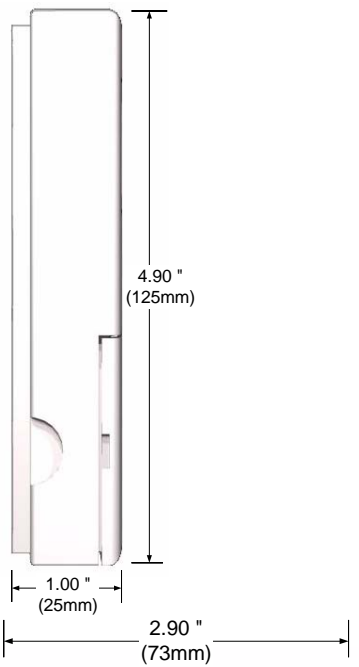
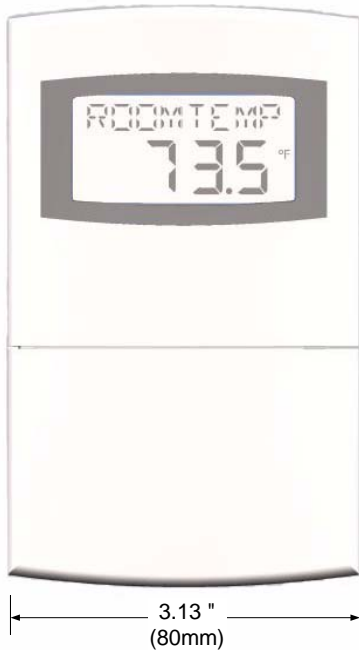
The "up" and "down" push-buttons are used to adjust the temperature set-point offset for optimum occupant comfort. The maximum range of set point offset can be easily modified in the programming mode. The maximum set point offset is factory set at +/- 2, but can be field adjusted up to a maximum of +/- 10 through the programming mode. No special tools or software are required to accomplish this. All programming mode functionality is accomplished in the field using a sequence of button presses.

Precision Internal SAP™ Temperature Sensor

The Si-10 incorporates a precision thermistor for Superior Accuracy and Performance (SAP™) of space temperature sensing assuring long term stability and maximum accuracy.

Override Push-button

In addition to the up and down arrows for set point offset adjustment, the SI-10 has a third button for after hours override requirements. The LCD momentarily displays OVERRIDE to provide visual confirmation to the occupant.



Specifications:

Power

Input Voltage Range: 12-28 Vac or Vdc
 Maximum Consumption: 2 VA
 Protection Circuitry: Transient Over voltage, ESD

Environmental

Operating Temperature: 0 °C to +50 °C, 32 °F to 122 °F
 Storage Temperature: -20 °C to +70 °C, -4 °F to 158 °F
 Relative Humidity: 5% to 95% (non-condensing)

Output - Temperature

Temperature Sensor: Onboard Thermistor, 10K Type II
 Accuracy: ±0.5 °C, ±1.0F (0 to 50 °C)

Output - Set Point

Resistance Range: 0 - 10K ohms
 Maximum Applied Voltage: 5.5 Vdc

Output - Override

Digital: Push-button
 Rating: 5 volts DC, 200mA

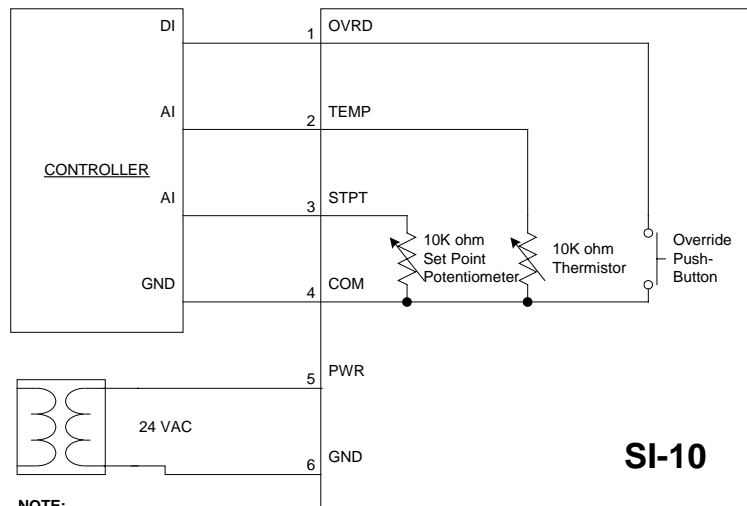
Enclosure

Display: 8 Character Alpha-Numeric
 4 Digit LCD Display
 Dimensions: L 4.90" x W 3.13" x H 1.0"
 (125 x 80 x 25 mm)
 Material: ABS, UL 94-VO rated

Warranty

Period: 2 Years (Limited)

Wiring Diagram:



NOTE:

- "OVRD", "TEMP" and "STPT" use the same signal common.
- Signal "COM" and power "GND" are electrically isolated on the SI-10.
- If multiple devices are powered by one transformer, polarity must be observed on transformer wiring.



Document Number: 37- 0248, ver. 0.1.0

1. Smart Controls, Simple Elegance, SAP are trademark of Smart Controls, LLC. SMART CONTROLS, LLC reserves the right to make changes without further notice to this product for improvements in design and reliability. SMART CONTROLS, LLC does not assume any liability arising out of the application or use of this product; neither does it convey any license under its patent rights of others.

Office:
 10000 St. Clair Avenue
 Fairview Heights, IL 62208
 U.S.A.
 Phone: 618-394-0300
 Fax: 618-394-1575

E-mail:
sales@smartcontrols.com

Web site:
www.smartcontrols.com